

## HAMBURGER PRESS



### MODEL 21572 / 21573

The HP hamburger patty machine offers quick production of hamburgers, already separated by patty paper.

The unit operates automatically by pulling on the lever to compress the meat and, as the lever returns; it automatically opens the press and removes the patty. The HP hamburger patty machine is made of anodized aluminum. The parts that are in contact with the meat are made of stainless steel and are easily removable for cleaning.

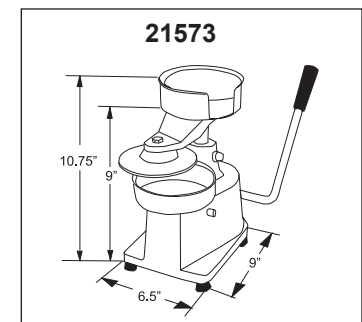
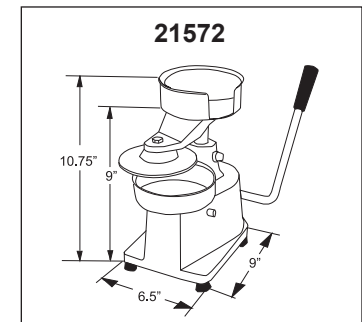
\* One pack of patty paper is included

### SPECIFICATIONS

Model	HP100	HP130
Type	4" Diameter	5.2" Diameter
Capacity	6.75 oz max	10 oz max
Weight	11.44 lbs.	11.44 lbs.
Packaging Weight	13.2 lbs.	13.2 lbs.
Dimensions (DWH)	9" x 6.5" x 10.75"	9" x 6.5" x 10.75"
Packaging Dimensions	10.75" x 9.5" x 12"	10.75" x 9.5" x 12"
Item #	21572	21573



### DIMENSIONS



Mississauga, Ontario, Canada

Niagara Falls, New York, USA

Tel: (905) 828-0234 Toll-Free: 1-800-465-0234 Fax: (905) 607-0234 Email: sales@omcan.com

[www.omcan.com](http://www.omcan.com)